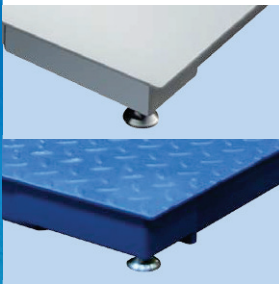


Affordable, Heavy Duty and Easy to Use **BFA231 and BFA236**



Terminal

- Highly visible display
- Innovative and user friendly
- Standard RS232 interface
- IP54 for plastic housing
- IP66/IP67 for stainless steel housing



Weigh Bridge

- BFA231 – Carbon steel version
- BFA236 – Stainless steel version



Structure

- RockerFoot ensures accurate and reliable weighing
- Level bubble for simple and fast platform leveling
- Optional ramps for driving over



Complete Floor Scale Weighing Solution

The floor scale BFA231/BFA236 with capacities up to 3000 kg is a complete solution for many applications. Terminal and platform are preassembled and optionally fully approved. The unique RockerFoot suspension guarantees a good shock- and vibration damping. After alignment, the BFA231/BFA236 is immediately ready for use. The painted version BFA231 is supplied with the robust IND231 terminal. The stainless steel version BFA236 is designed for harsh environments and is supplied with the stainless steel IND236 terminal. Optional ramps allow convenient loading and drive on with pallet trucks.

The simple and convenient menu configuration and the straightforward and intuitive setup of a multitude of different available functions makes the BFA231/BFA236 easy to use. It requires minimal operator training and measurably improves production efficiency.

Technical Data

BFA231/BFA236 Floor Scales

Specifications

Model	BFA231-E1500 BFA236-E1500	BFA231-ES1500 BFA236-ES1500	BFA231-E3000 BFA236-E3000	BFA231-ES3000 BFA236-ES3000
Capacity (kg)	1500		3000	
Accuracy class	III			
Resolution 3000e (kg)	0.5		1	
Minimum capacity (kg)	10		20	
Platform size (WxL) (mm)	1250x1500	1500x1500	1250x1500	1500x1500
Platform height (mm)	90			
Max. static safe load (kg)	Central	2800	4500	
	Side	1600	2300	
	Corner	1000	1500	
Protection class	Load cell	IP67(BFA231), IP68(BFA236)		
	J-BOX	IP68		
	Terminal	IP54(BFA231), IP66/IP67(BFA236)		
Temperature range	-10°C to +40°C for accuracy class III			

BFA231

- Painted carbon steel platform
- Plastic house terminal
- 5 m connection signal cable

BFA236

- Stainless steel platform, AISI304
- Stainless steel house terminal, AISI304
- 5 m connection signal cable

Accessories

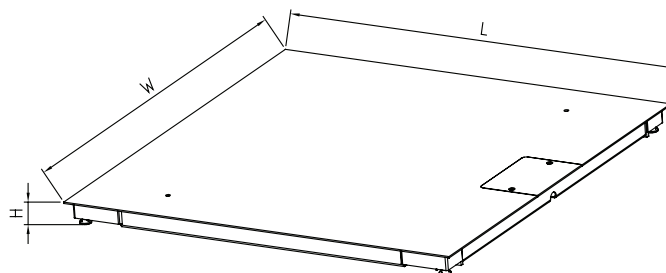
- Terminal stand

Model	S110-IND231	S110-IND236
Suitable to	BFA231	BFA236
Material	Stainless steel, AISI304	
Note	includes terminal bracket	includes terminal bracket

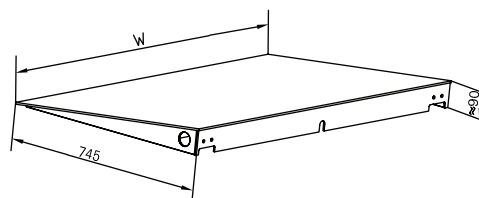
- Ramp

Model	R1250-BFA231	R1500-BFA231	R1250-BFA236	R1500-BFA236
Dimensions(W)(mm)	1250	1500	1250	1500
Suitable to	BFA231		BFA236	
Material	Painted carbon steel		Stainless steel, AISI304	
Top plate	Anti-slip corrugated plate		Smooth plate	

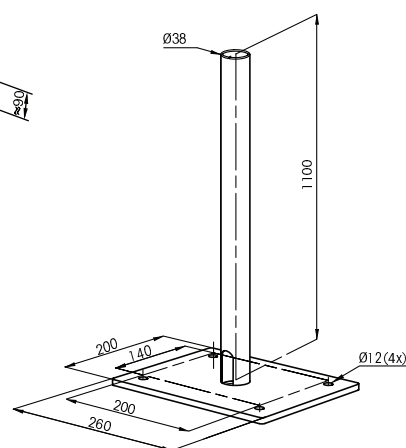
Platform dimensions (mm)



Ramp dimensions (mm)



Terminal stand dimensions (mm)



Mettler-Toledo AG

CH-8606 Greifensee
Switzerland
Phone +41 44 944 22 11
Fax +41 44 944 30 60

Subject to technical changes
© 08/2013 Mettler-Toledo AG
Printed in Switzerland
MarCom Industrial
MTSI 30098971

METTLER TOLEDO Service

www.mt.com/BFA231-BFA236

For more information